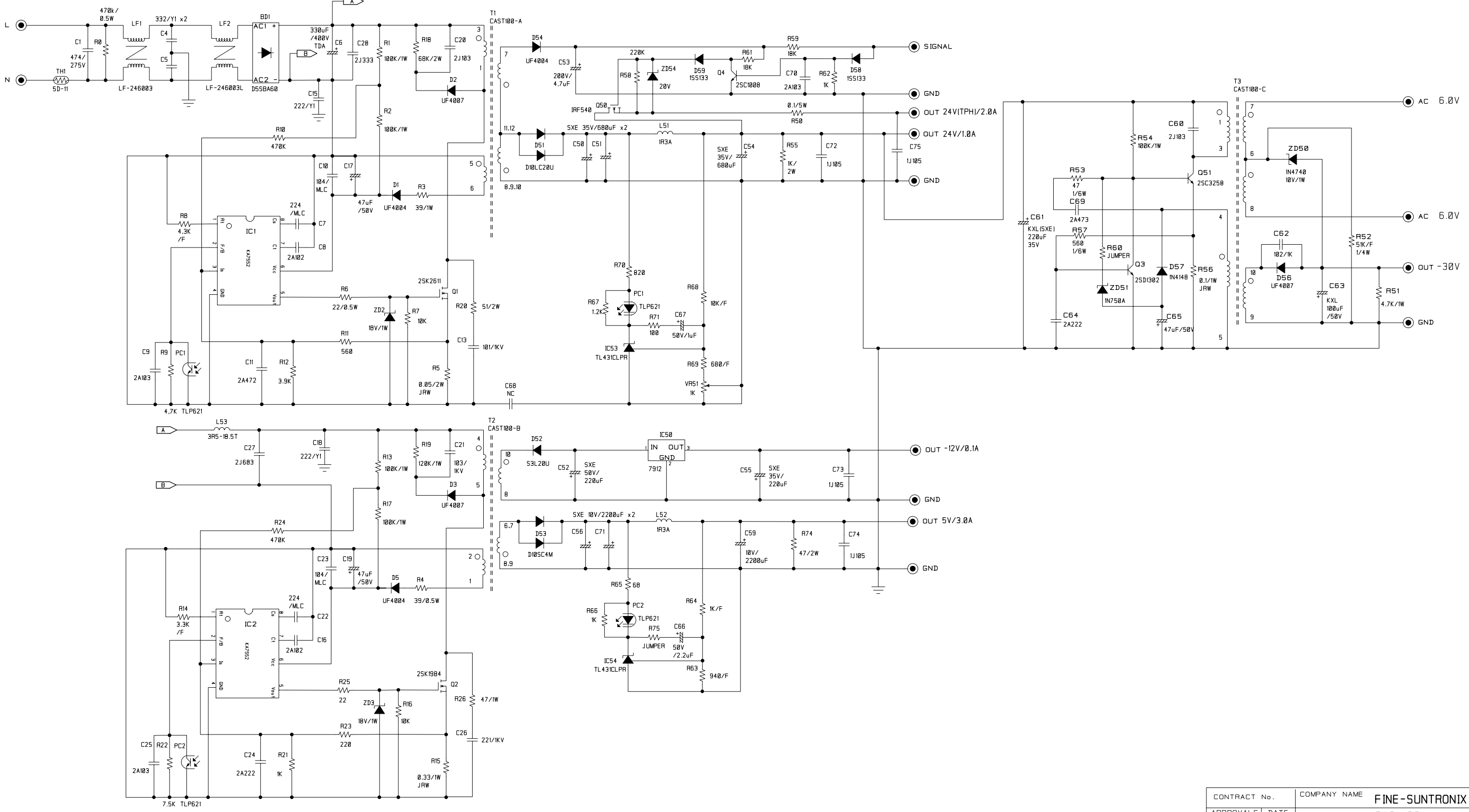


CAS-100



CONTRACT No.	COMPANY NAME FINE-SUNTRONIX		
APPROVALS	DATE 05.11.14	DWG CAS-100	
DRAWN	DWG No.		
CHECKED	SIZE	FSCM No.	REV C
ISSUED	SCALE	SHEET	