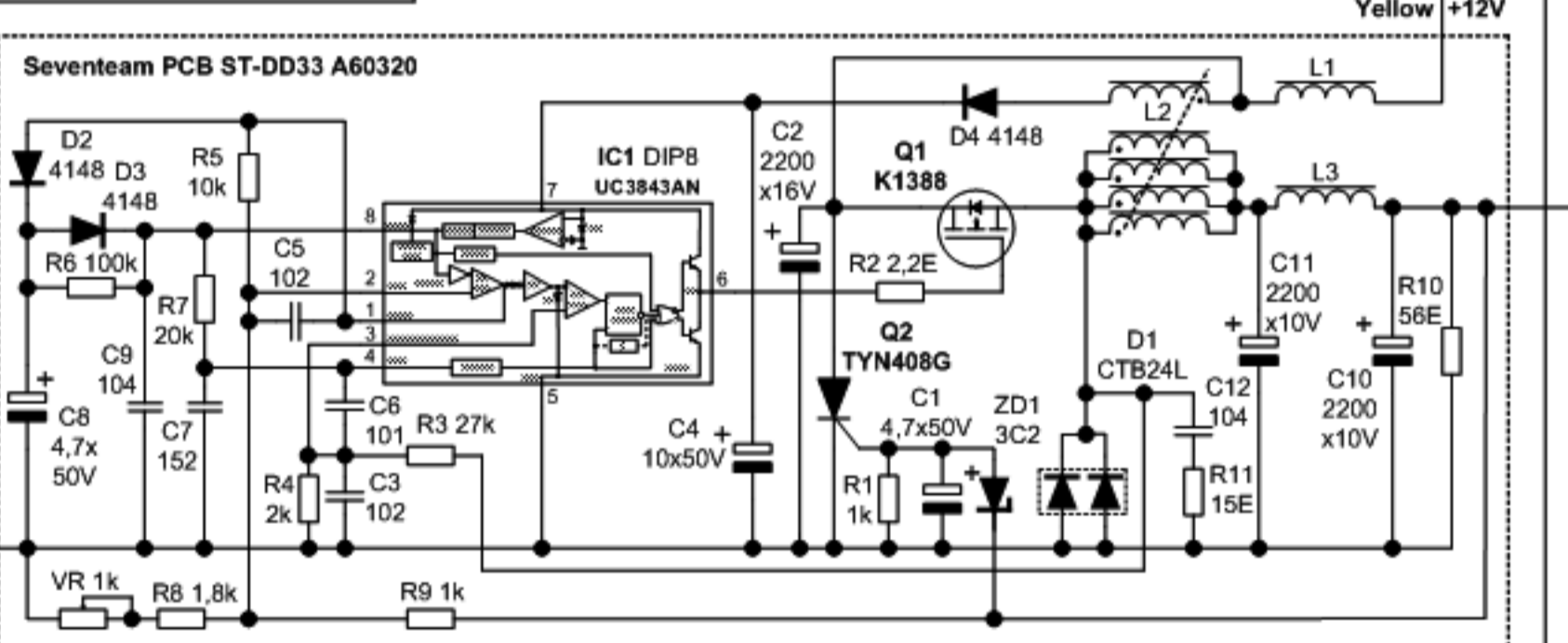
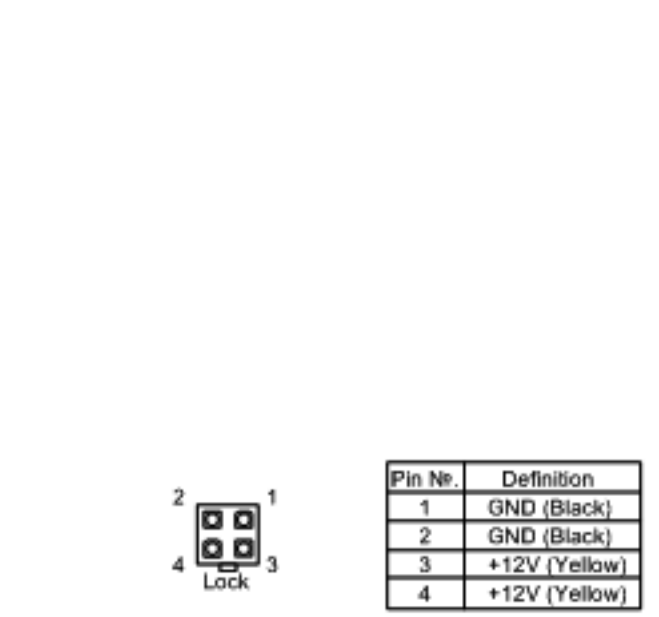


Pin No	Definition
1	3.3V (Orange)
2	3.3V (Orange)
3	GND (Black)
4	VCC (Red)
5	GND (Black)
6	VCC (Red)
7	GND (Black)
8	Power Good (Green) * Grey
9	+5V SB (Violet)
10	+12V (Yellow)
11	3.3V (Orange)
12	-12V (Blue)
13	GND (Black)
14	PS_ON (Grey) * Green
15	GND (Black)
16	GND (Black)
17	GND (Black)
18	-5V (White)
19	VCC (Red)
20	VCC (Red)



<b>Seventeam</b>		Model: <b>ST-200HRK</b>		
		<b>ATX SWITCHING POWER SUPPLY</b>		
Vladimir Davydov	SIZE 1	FSCM NO 1	DWG NO 1	REV
AKA Older	SCALE 1:1	Visio2002	SHEET 1 OF 1	