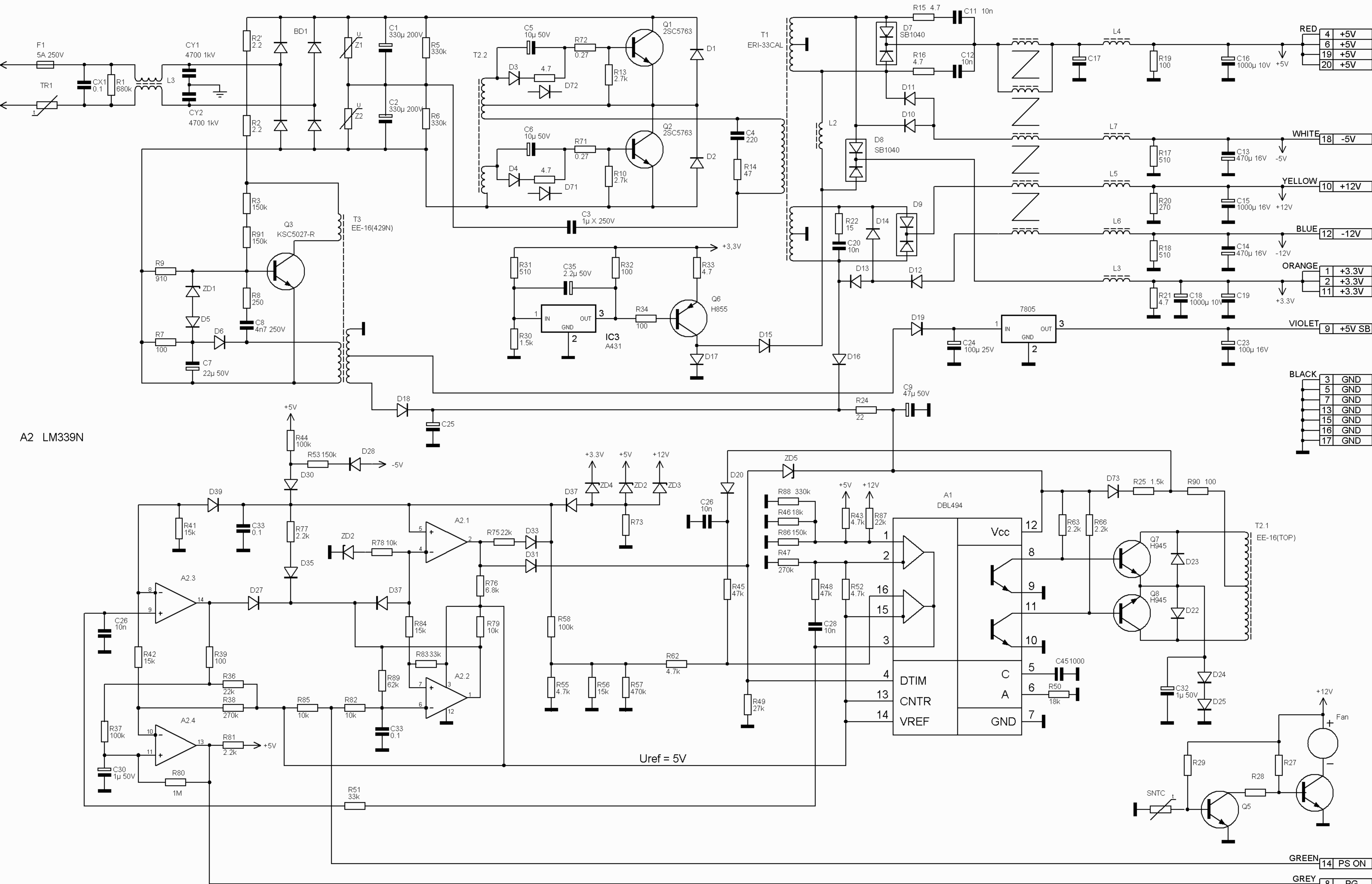


JNC Computer Corp. mod. LC-250ATX ch. 200-ATX ver. 2.02B



A2 LM339N

Uref = 5V

RED	4	+5V
	6	+5V
	19	+5V
	20	+5V

WHITE	18	-5V
-------	----	-----

YELLOW	10	+12V
--------	----	------

BLUE	12	-12V
------	----	------

ORANGE	1	+3.3V
	2	+3.3V
	11	+3.3V

VIOLET	9	+5V SB
--------	---	--------

BLACK	3	GND
	5	GND
	7	GND
	13	GND
	15	GND
	16	GND
	17	GND

GREEN	14	PS ON
-------	----	-------

GREY	8	PG
------	---	----