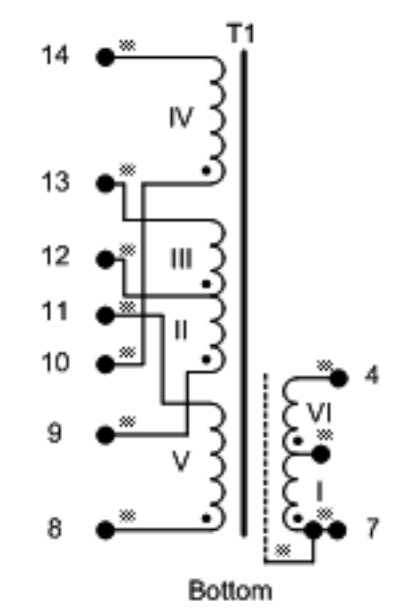
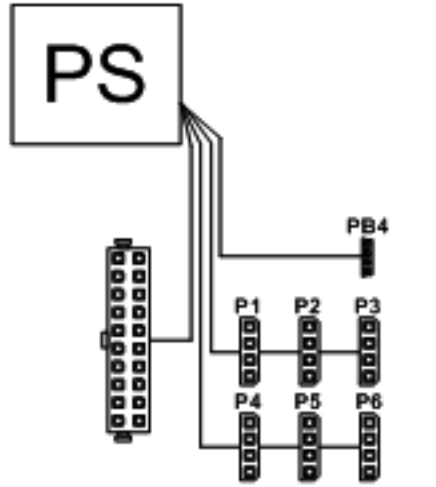
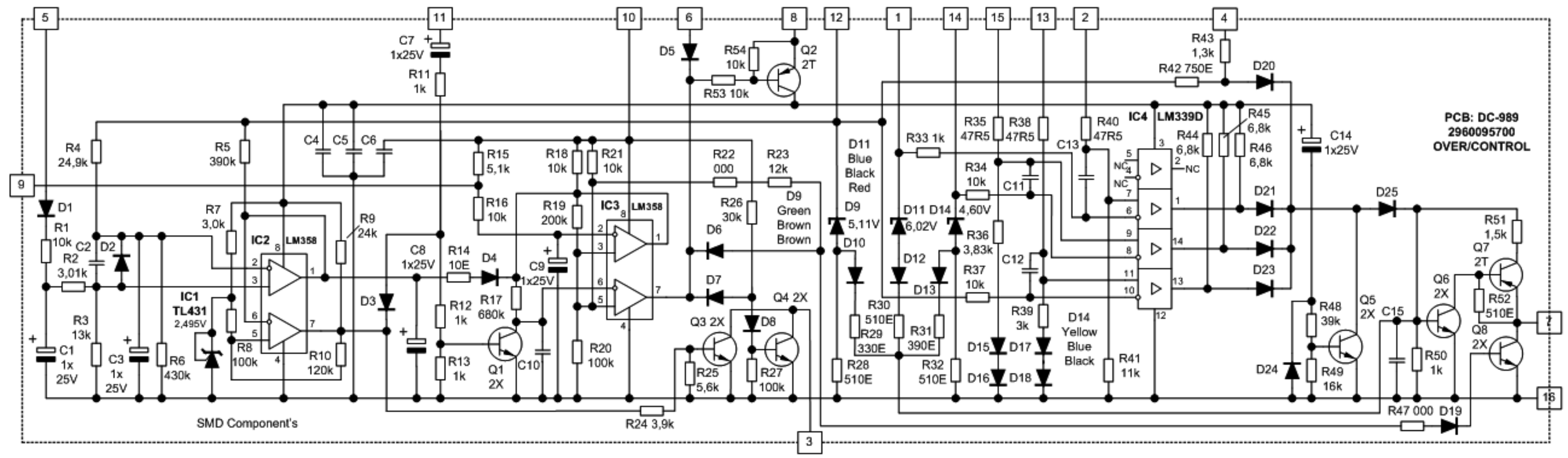


| Pin No. | Definition | |
|---------|-------------------|---------------|
| 1 | 3.3V (Orange) | |
| 2 | 3.3V (Orange) | |
| 3 | GND (Black) | |
| 4 | VCC (Red) | |
| 5 | GND (Black) | |
| 6 | VCC (Red) | |
| 7 | GND (Black) | |
| 8 | Power Good (Grey) | |
| 9 | +5V SB (Violet) * | Red |
| 10 | +12V (Yellow) | |
| 11 | 3.3V (Orange) * | Green 3.3VRS+ |
| 12 | -12V (Blue) | |
| 13 | GND (Black) * | Brown 3.3VRS- |
| 14 | PS_ON (Green) * | Violet |
| 15 | GND (Black) | |
| 16 | GND (Black) | |
| 17 | GND (Black) | |
| 18 | -5V (White) | |
| 19 | VCC (Red) | |
| 20 | VCC (Red) | |



| | | | | |
|-----------------------------------|-----------|--------------------------|----------------------------|--------------|
| DELTA ELECTRONICS INC. | | Model: DPS-260-2A | | |
| | | POWER SUPPLY | | |
| Vladimir Davydov aka Older | SIZE 1 | FSCM NO 1 | DWG NO 2 | REV |
| http://monitor.net.ru | SCALE 1:1 | Visio2002 | Reverse Circuit 10.04.2004 | SHEET 2 OF 2 |