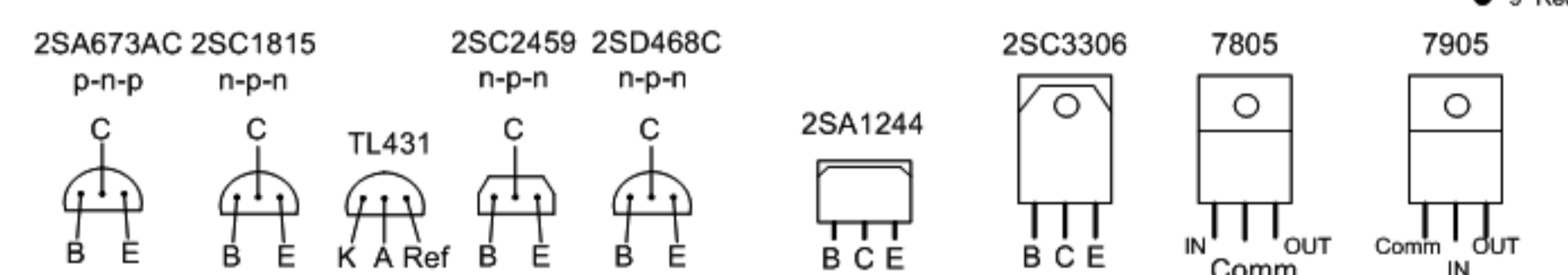


Pin No.	Definition
1	3.3V (Green)
2	3.3V (Green)
3	GND (Black)
4	VCC (Red)
5	GND (Black)
6	VCC (Red)
7	GND (Black)
8	Power Good (Orange)
9	+5V SB (Red)
10	+12V (Yellow)
11	3.3V (Green)
12	-12V (Blue)
13	GND (Black)
14	PS_ON (Brown)
15	GND (Black)
16	GND (Black)
17	GND (Black)
18	-5V (White)
19	VCC (Red)
20	VCC (Red)



Pin No.	Definition
1	3.3V (Green)
2	3.3V (Green)
3	GND (Black)
4	VCC (Red)
5	GND (Black)
6	VCC (Red)
7	GND (Black)
8	Power Good (Orange)
9	+5V SB (Red)
10	+12V (Yellow)
11	3.3V (Green)
12	-12V (Blue)
13	GND (Black)
14	PS_ON (Brown)
15	GND (Black)
16	GND (Black)
17	GND (Black)
18	-5V (White)
19	VCC (Red)
20	VCC (Red)

FOR PAY
 WebMoney:
 R482920710207
 Z248300697314
 E897421723548

DELTA ELECTRONICS INC.
 Model: **DPS-200PB-59 H REV:00**
POWER SUPPLY
 Vladimir Davydov aka Older
 http://monitor.net.ru
 SIZE 1
 SCALE 1:1
 FSCM NO 1
 DWG NO 1
 Reverse Circuit 27.07.2004
 SHEET 1 OF 1